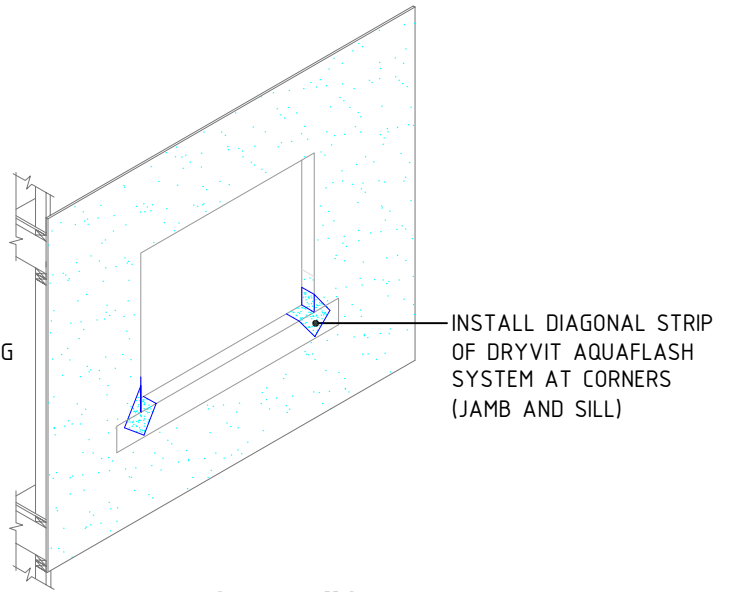


**STEP #1**

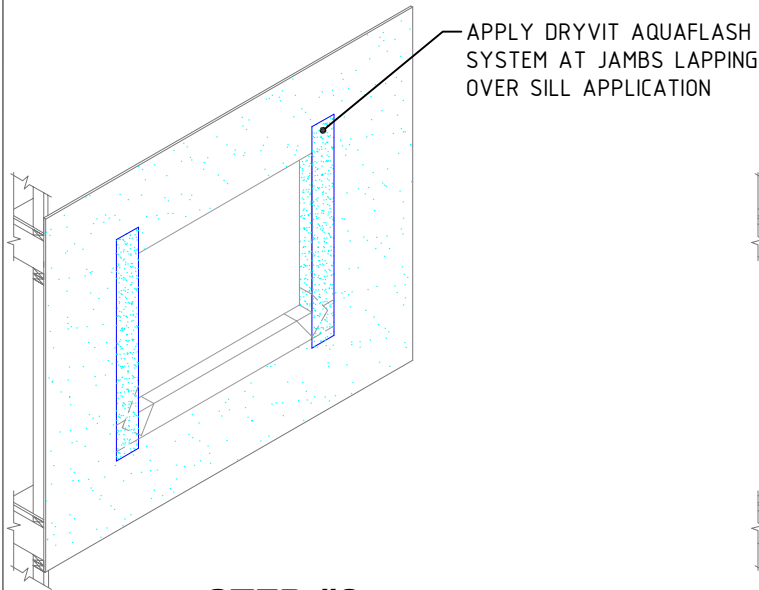
APPLY DRYVIT AQUAFLASH SYSTEM AT SILL, EXTENDING UP JAMBS MINIMUM 2 1/2"

DRYVIT WATER-RESISTIVE BARRIER COATING (SEE NOTE 3)



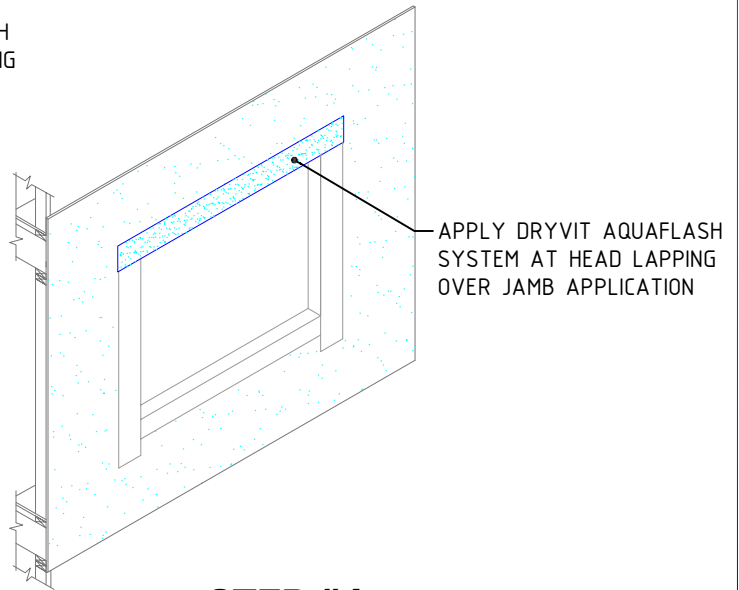
**STEP #2**

INSTALL DIAGONAL STRIP OF DRYVIT AQUAFLASH SYSTEM AT CORNERS (JAMB AND SILL)



**STEP #3**

APPLY DRYVIT AQUAFLASH SYSTEM AT JAMBS LAPPING OVER SILL APPLICATION



**STEP #4**

APPLY DRYVIT AQUAFLASH SYSTEM AT HEAD LAPPING OVER JAMB APPLICATION

## Outsulation® SMD System™

## Opening Prep - Backstop® NT WRB/ AquaFlash® System Option

**NOTE:**

1. SHEET TYPE CODE APPROVED WATER-RESISTIVE BARRIER MAY BE USED AND SHALL BE INSTALLED IN A WEATHER BOARD FASHION IN ACCORDANCE WITH CODE AND MANUFACTURER'S REQUIREMENTS.
2. DRYVIT OPENING WRAP SHALL EXTEND TO INTERIOR FACE OF FRAMING.
3. APPLY DRYVIT BACKSTOP NT/-SMOOTH OR TEXTURE OVER REMAINDER OF WALL SURFACE.
4. APPLY CAULK BEHIND HEAD AND JAMB FLANGES OF WINDOW.

The architecture, engineering and design of the project using the Dryvit products is the responsibility of the project's design professional. All systems must comply with local building codes and standards. This detail is for general information and guidance only and Dryvit specifically disclaims any liability for the use of this detail and for the architecture, design, engineering or workmanship of any project. The project design professional determines, in its sole discretion, whether this detail or a functionally equivalent alternative is best suited for the project. Use of a functionally equivalent detail does not violate Dryvit's warranty. This detail is subject to change without notice. Contact Dryvit to insure you have the most recent version.

APPROVED BY:	REV:	DATE:
RS	2	02/09

