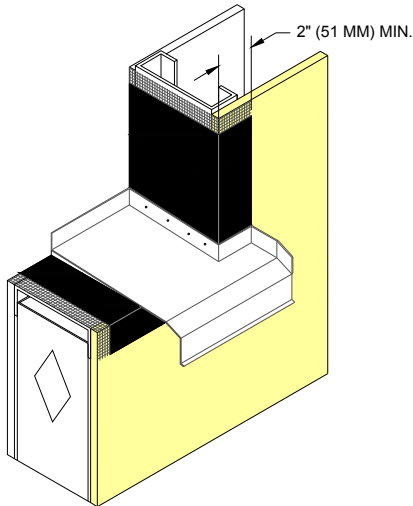
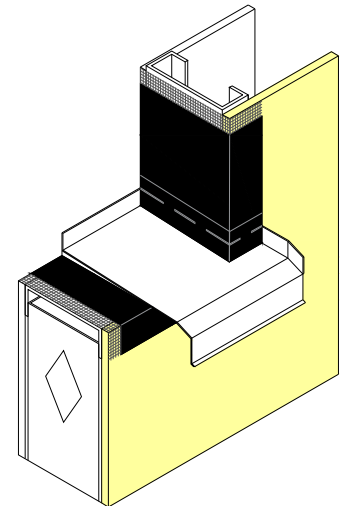


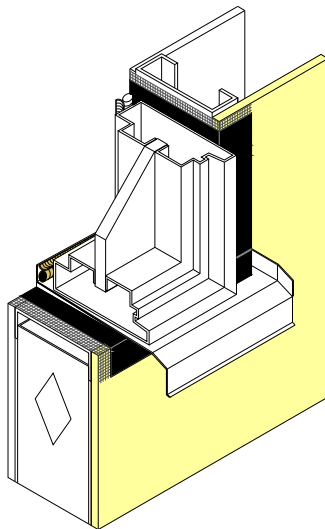
(SEE NOTES 1 AND 2)



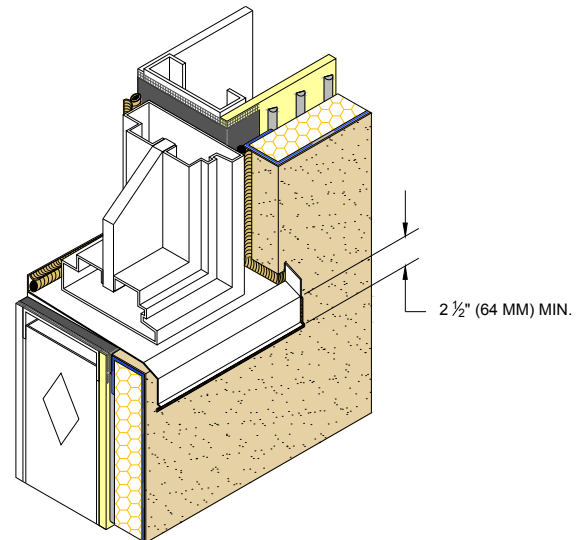
STEP 1: PREPARE OPENING AS PER OS 0.0.02. INSTALL SILL PAN FLASHING AND SECURE TO FRAMING AND BLOCKING. SHIM UNDERSIDE OF FLASHING TO ENSURE INCIDENTAL MOISTURE IS DIRECTED TO THE EXTERIOR FACE OF THE WALL. (SEE NOTES 1,2 AND 3)



STEP 2: APPLY DRYVIT AQUAFASH® SYSTEM SPLICES OVER UPTURNED LEGS OF PAN FLASHING (SEE NOTE 3)



STEP 3: INSTALL WINDOW UNIT AND ASSOCIATED HEAD FLASHING.



STEP 4: INSTALL EIFS AND APPLY BACKER ROD AND SEALANT ALONG JAMBS AND AT SYSTEM TERMINATIONS, ALSO ALONG EDGES OF FLASHING.

Outsulation[®] System

NOTE:

1. PAN FLASHING SHOULD OVERLAP EIFS MIN. 2 1/2" (64 MM) MEASURED FROM THE TOP OF THE EPS.

2. PAN FLASHING MUST HAVE WATERTIGHT SEAMS.

3. DRYVIT FLASHING TAPE SURFACE CONDITIONER™ AND DRYVIT FLASHING TAPE™ MAY BE USED IN LIEU OF AQUAFASH SYSTEM.

Preparation of Opening for Storefront Window

The architecture, engineering, and design of the project using the Dryvit products is the responsibility of the project's design professional. All systems must comply with local building codes and standards. This detail is for general information and guidance only and Dryvit specifically disclaims any liability for the use of this detail and for the architecture, design, engineering or workmanship of any project. The project design professional determines, in its sole discretion, whether this detail or a functionally equivalent detail is best suited for the project. Use of a functionally equivalent detail does not violate Dryvit's warranty. This detail is subject to change without notice. Contact Dryvit to ensure you have the most recent version.

