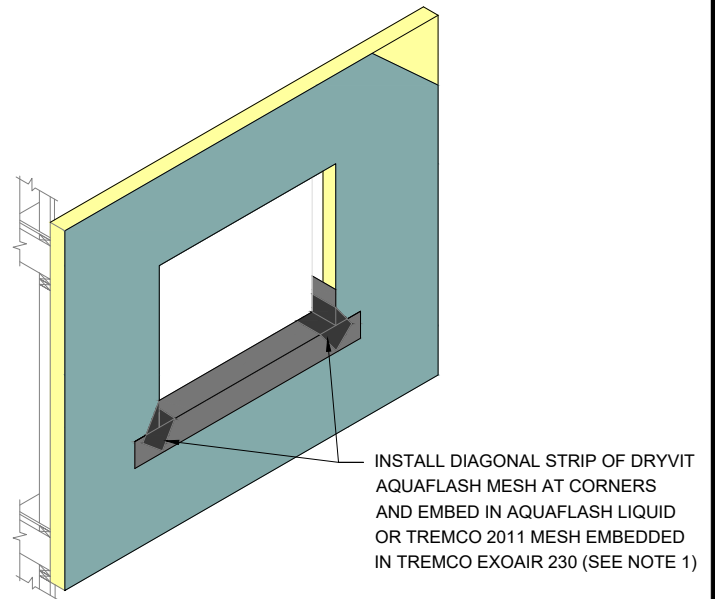
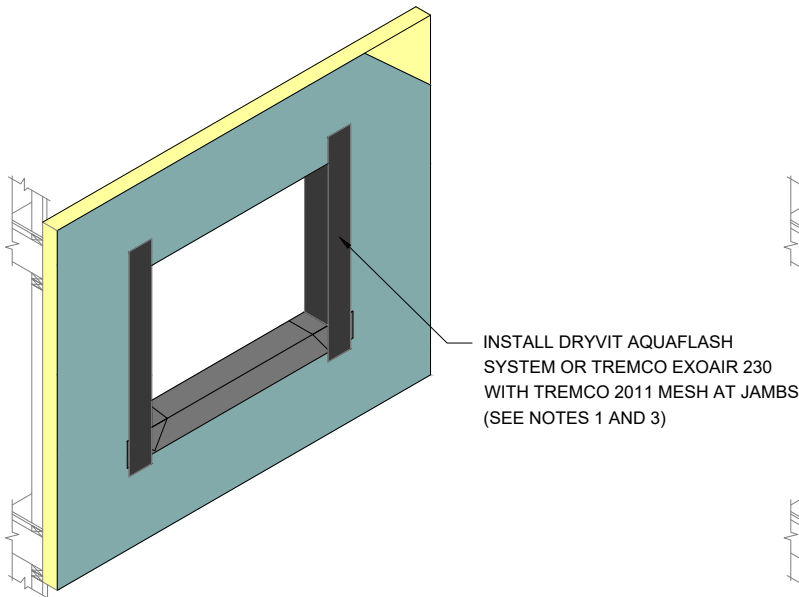


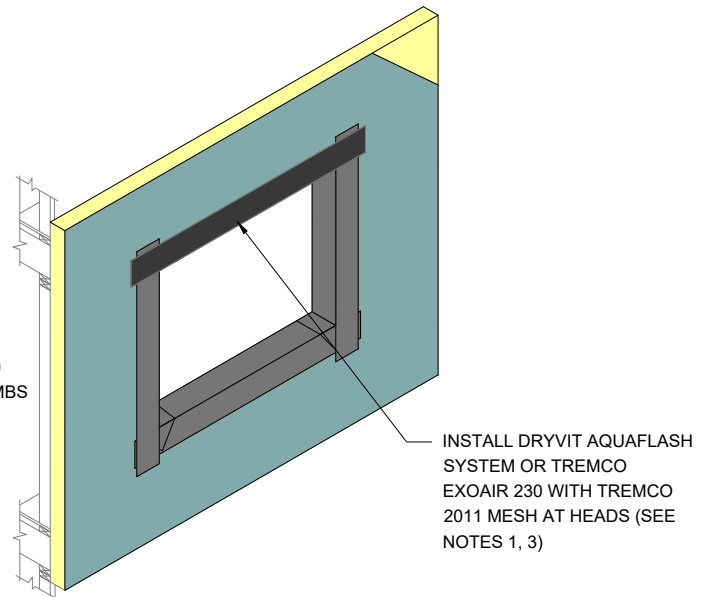
**STEP #1**



**STEP #2**



**STEP #3**



**STEP #4**

NOTE:

1. DRYVIT AQUAFLASH AND TREMCO EXOAIR 230 WITH MESH SHALL EXTEND TO INTERIOR FACE OF OPENING.

2. REFER TO HEAD, SILL AND JAMB DETAILS FOR FLASHING INTEGRATION.

3. INSTALL WINDOW UNIT AND ASSOCIATED FLASHINGS PER MANUFACTURER'S RECOMMENDATIONS, CODE REQUIREMENTS AND PROJECT DOCUMENTS.

4. REFER TO PRODUCT DATA SHEETS FOR SPECIFIC APPLICATION METHODS.  
5. FOR ADDITIONAL BACKSTOP NT DETAILS, REFER TO DRYVIT PUBLICATION DS840.

*The architecture, engineering, and design of the project using the Dryvit and Tremco products are the responsibility of the project's design professional. All products and systems must comply with local building codes and standards. This detail is for general information and guidance only and Dryvit and Tremco specifically disclaims any liability for the use of this detail. The project design professional determines, in its sole discretion, whether this detail or a functionally equivalent detail is best suited for the project. This detail is subject to change without notice. Contact Dryvit and Tremco to ensure you have the most recent version.*

**Outsulation® Plus MD System®**



Detail: Opening Preparation - Dryvit AquaFlash® System or Tremco ExoAir 230 with Mesh Option

Drawn by: KAB    Checked by: CB    Scale: NTS    Date: 9/2021

Tremco Construction Products Group companies: Dryvit Systems, Inc.; Nudura Inc.; Prebuck LLC; Schul International Co., LLC d/b/a/ Willseal; Tremco Incorporated

File Name:

OPMD 3

