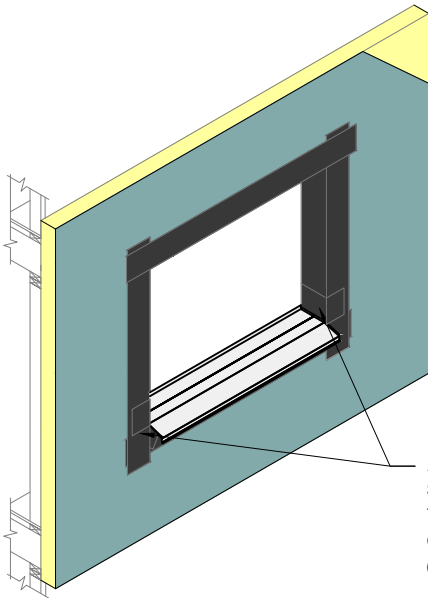


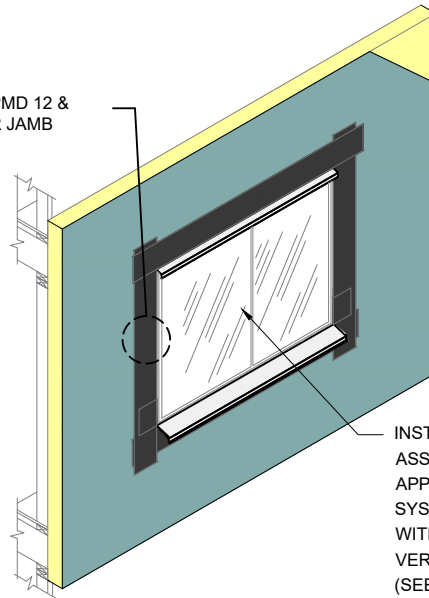
REFER TO OPMD 3 AND OPMD 4 FOR PREPARATION OF OPENING PRIOR TO FLASHING INSTALLATION

STEP #1



APPLY DRYVIT AQUAFLASH® SYSTEM OR TREMCO EXOAIR 230 WITH TREMCO 2011 MESH SPLICES LAPPING OVER LIP OF SILL PAN FLASHING. (SEE NOTE 1)

STEP #2



REFER TO OPMD 12 & OPMD 13 FOR JAMB DETAIL

INSTALL WINDOW UNIT AND ASSOCIATED FLASHINGS AND APPLY DRYVIT AQUAFLASH SYSTEM OR TREMCO EXOAIR 230 WITH TREMCO 2011 MESH OVER VERTICAL LEG OF FLASHING (SEE NOTE 1)

STEP #3

NOTE:
1. REFER TO OPMD 12 AND OPMD 13 FOR INTEGRATION OF FLASHING.

2. FOR ADDITIONAL BACKSTOP® NTX™ DETAILS, REFER TO DRYVIT PUBLICATION DS840.

The architecture, engineering, and design of the project using the Dryvit and Tremco products are the responsibility of the project's design professional. All products and systems must comply with local building codes and standards. This detail is for general information and guidance only and Dryvit and Tremco specifically disclaims any liability for the use of this detail. The project design professional determines, in its sole discretion, whether this detail or a functionally equivalent detail is best suited for the project. This detail is subject to change without notice. Contact Dryvit and Tremco to ensure you have the most recent version.

Outsulation® Plus MD System®



Dryvit Technical Support: 800-556-7752

Detail: Opening Flashing Integration - AquaFlash® System or Tremco ExoAir 230 Option

Drawn by: KAB

Checked by: CB

Scale: NTS

Date: 2/2022

File Name:

OPMD 5



Construction Products Group

www.tremcocpg.com