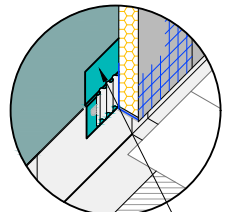
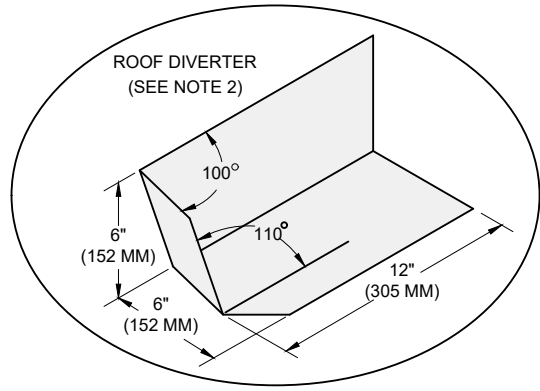


**TREMCO DYMONIC 100 OR DRYVIT BACKSTOP® FLASH AND FILL OPTION**



- TREMCO DYMONIC 100 OR DRYVIT BACKSTOP® FLASH AND FILL (SEE NOTES 6, 7)
- ROOFING SHINGLES
- ROOFING UNDERLAYMENT, BY OTHERS (SEE NOTE 3)
- ROOF STEP FLASHING, BY OTHERS (SEE NOTE 4)
- ROOF DIVERTER FLASHING, BY OTHERS (SEE NOTE 1 & 2)
- GUTTER SYSTEM SLOPED AWAY FROM WALL



- NOTE:**
1. EXTEND DIVERTER FLASHING (KICKOUT) A MINIMUM OF 1" (25 MM) BEYOND FACE OF THE SYSTEM.
  2. ROOF DIVERTER TO BE MADE FROM CORROSION RESISTANT MATERIAL MIN. 24 GAGE WITH WATER TIGHT SEAMS.
  3. EXTEND ROOFING UNDERLAYMENT 5" (127 MM) UP VERTICAL WALL BEHIND METAL FLASHING.

4. METAL FLASHINGS ARE 10" (254 MM) X 2" (51 MM) LONGER THAN THE EXPOSED PORTION OF THE ROOFING SHINGLE AND ARE BENT IN HALF TO ALLOW FOR TWO 5" (127 MM) LEGS. ALTHOUGH NOT SHOWN, METAL FLASHINGS ARE STEP FLASHED (INTERWOVEN) WITH ROOFING SHINGLES.
5. FOR ADDITIONAL SLOPED ROOF DETAILS, REFER TO DRYVIT PUBLICATION DS106.

6. REFER TO PRODUCT DATA SHEETS FOR SPECIFIC APPLICATION METHODS.
7. THE ONLY WRB TO BE USED WITH BACKSTOP® FLASH AND FILL IS BACKSTOP® NTX™.

*The architecture, engineering, and design of the project using the Dryvit and Tremco products are the responsibility of the project's design professional. All products and systems must comply with local building codes and standards. This detail is for general information and guidance only and Dryvit and Tremco specifically disclaims any liability for the use of this detail. The project design professional determines, in its sole discretion, whether this detail or a functionally equivalent detail is best suited for the project. This detail is subject to change without notice. Contact Dryvit and Tremco to ensure you have the most recent version.*

**Outsulation® Plus MD System®**

	Detail: Termination at Sloped Roof				File Name:		 Construction Products Group
	Drawn by: KAB	Checked by: CB	Scale: NTS	Date: 2/2022	OPMD 21		
Dryvit Technical Support: 800-556-7752 <span style="float: right;">www.tremcocpg.com</span>							