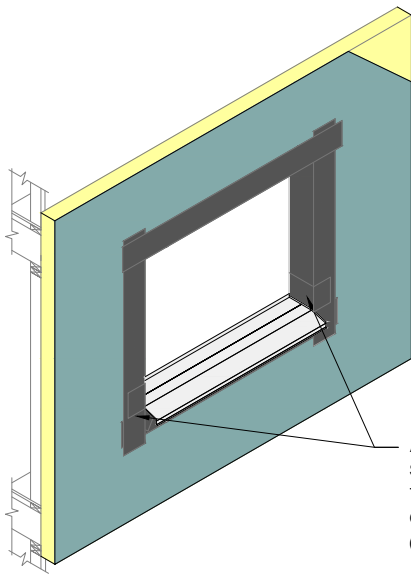


REFER TO OMD 7 AND OMD 8 FOR PREPARATION OF OPENING PRIOR TO FLASHING INSTALLATION

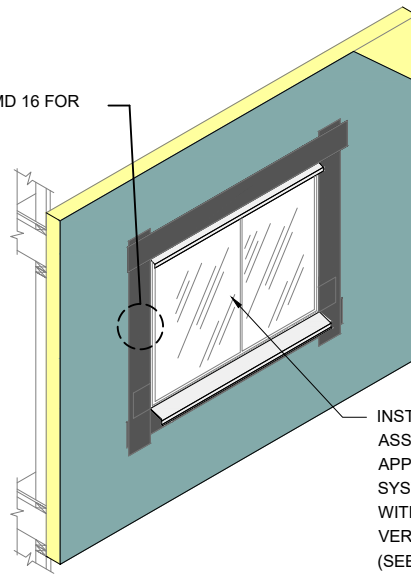
STEP #1



APPLY DRYVIT AQUAFLASH® SYSTEM OR TREMCO EXOAIR 230 WITH TREMCO 2011 MESH SPLICES LAPPING OVER LIP OF SILL PAN FLASHING. (SEE NOTE 1)

STEP #2

REFER TO OMD 16 FOR JAMB DETAIL



INSTALL WINDOW UNIT AND ASSOCIATED FLASHINGS AND APPLY DRYVIT AQUAFLASH SYSTEM OR TREMCO EXOAIR 230 WITH TREMCO 2011 MESH OVER VERTICAL LEG OF FLASHING (SEE NOTE 1)

STEP #3

NOTE:

1. REFER TO OMD 16 FOR INTEGRATION OF FLASHING.

2. FOR ADDITIONAL BACKSTOP® NTX™ DETAILS, REFER TO DRYVIT PUBLICATION DS840.

The architecture, engineering, and design of the project using the Dryvit and Tremco products are the responsibility of the project's design professional. All products and systems must comply with local building codes and standards. This detail is for general information and guidance only and Dryvit and Tremco specifically disclaims any liability for the use of this detail. The project design professional determines, in its sole discretion, whether this detail or a functionally equivalent detail is best suited for the project. This detail is subject to change without notice. Contact Dryvit and Tremco to ensure you have the most recent version.

Outsulation® MD System®



Dryvit Technical Support: 800-556-7752

Detail: Opening Flashing Integration- Dryvit AquaFlash® or Tremco ExoAir230 Option

Drawn by: KAB

Checked by: CB

Scale: NTS

Date: 1/2022

File Name:

OMD 9



Construction Products Group

www.tremcocpg.com