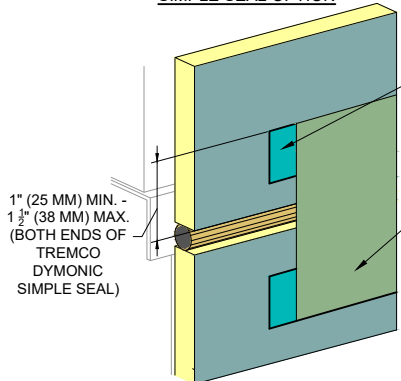


DRYVIT AQUAFLASH SYSTEM OR TREMCO DYMONIC SIMPLE SEAL (SEE INSET DETAIL)

CLOSED CELL BACKER ROD, BY OTHERS (SEE NOTE 4)

SLIP TYPE CONNECTION

TREMCO DYMONIC SIMPLE SEAL OPTION



TREMCO DYMONIC 100 1" (25 MM) MIN. ON SUBSTRATE

TREMCO DYMONIC SIMPLE SEAL CENTERED OVER JOINT ADHERED WITH TREMCO DYMONIC 100 AT BOTH ENDS

NOTE:

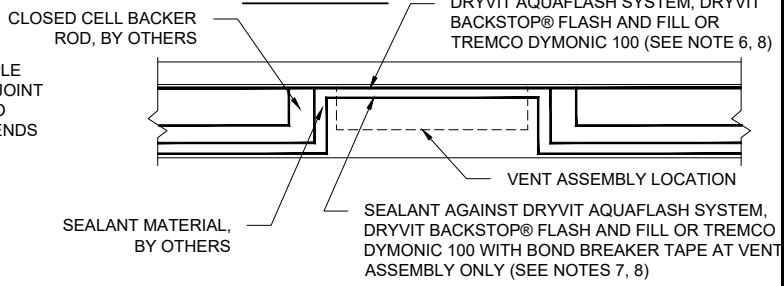
1. DRYVIT RECOMMENDS THAT GROUND FLOOR APPLICATIONS AND ALL FACADES EXPOSED TO ABNORMAL STRESS, HIGH TRAFFIC, OR DELIBERATE IMPACT HAVE THE BASE COAT REINFORCED WITH PANZER® MESH PRIOR TO STANDARD™ OR STANDARD PLUS™ MESH. LOCATION OF HIGH IMPACT ZONES SHOULD BE INDICATED ON CONTRACT DRAWINGS.
2. EXPANSION JOINT IN THE OUTSULATION MD SYSTEM IS NECESSARY WHERE SIGNIFICANT DIFFERENTIAL MOVEMENT IS EXPECTED AT FLOOR LINES.
3. LIGHTLY SAND SURFACE OF DRYVIT VENT TRACK TO MAXIMIZE ADHESION.
4. LOCATE EXTERNAL SEALANT JOINT WITHIN 2" (51 MM) OF BREAK IN SHEATHING.

5. SLOT IN DRYVIT VENT TRACK MUST BE POSITIONED OVER DRYVIT VENT ASSEMBLY.
6. REFER TO PRODUCT DATA SHEETS FOR SPECIFIC APPLICATION METHODS.
7. SEALANT SHALL TURN IN AT DRYVIT VENT ASSEMBLY LOCATIONS TO ALLOW FOR DRAINAGE. SEE SECTION A-A.
8. THE ONLY WRB TO BE USED WITH BACKSTOP® FLASH AND FILL IS BACKSTOP® NTX™.

The architecture, engineering, and design of the project using the Dryvit and Tremco products are the responsibility of the project's design professional. All products and systems must comply with local building codes and standards. This detail is for general information and guidance only and Dryvit and Tremco specifically disclaims any liability for the use of this detail. The project design professional determines, in its sole discretion, whether this detail or a functionally equivalent detail is best suited for the project. This detail is subject to change without notice. Contact Dryvit and Tremco to ensure you have the most recent version.

Outsulation® MD System®

Section A-A



<p>Dryvit Technical Support: 800-556-7752</p>	Detail: Horizontal Joint at Slip Track				File Name:	
	Drawn by: KAB	Checked by: CB	Scale: NTS	1/2022	OMD 28	
<p>Construction Products Group</p>						