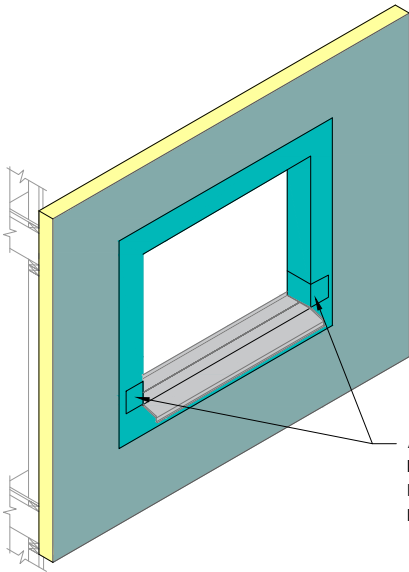


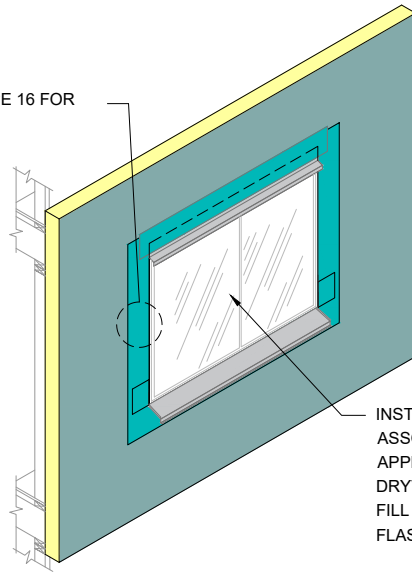
**STEP #1**

REFER TO OPE 09 FOR PREPARATION OF OPENING PRIOR TO FLASHING INSTALLATION



**STEP #2**

APPLY TREMCO DYMONIC 100 OR DRYVIT BACKSTOP FLASH AND FILL LAPPING OVER LIP OF SILL PAN FLASHING (SEE NOTE 1).



**STEP #3**

INSTALL WINDOW UNIT AND ASSOCIATED FLASHINGS AND APPLY TREMCO DYMONIC 100 OR DRYVIT BACKSTOP FLASH AND FILL OVER VERTICAL LEG OF FLASHING (SEE NOTE 1)

REFER TO OPE 16 FOR JAMB DETAIL

**NOTE:**

1. REFER TO HEAD/SILL DETAIL FOR INTEGRATION OF FLASHING.

2. REFER TO PRODUCT DATA SHEETS FOR SPECIFIC APPLICATION METHODS.

THE ONLY WRB TO BE USED WITH BACKSTOP FLASH AND FILL IS BACKSTOP® NTX™

*The architecture, engineering, and design of the project using the Dryvit and Tremco products are the responsibility of the project's design professional. All products and systems must comply with local building codes and standards. This detail is for general information and guidance only and Dryvit and Tremco specifically disclaims any liability for the use of this detail. The project design professional determines, in its sole discretion, whether this detail or a functionally equivalent detail is best suited for the project. This detail is subject to change without notice. Contact Dryvit and Tremco to ensure you have the most recent version.*

**Outsulation® PE System™**



Dryvit Technical Support: 800-556-7752

Detail: Opening Flashing Integration - Tremco Dymonic 100 or Dryvit Backstop Flash and Fill Option

Drawn by: SMS

Checked by: CB

Scale: NTS

Date: 1/2022

File Name:

OPE 13



Construction Products Group

www.tremcocpg.com