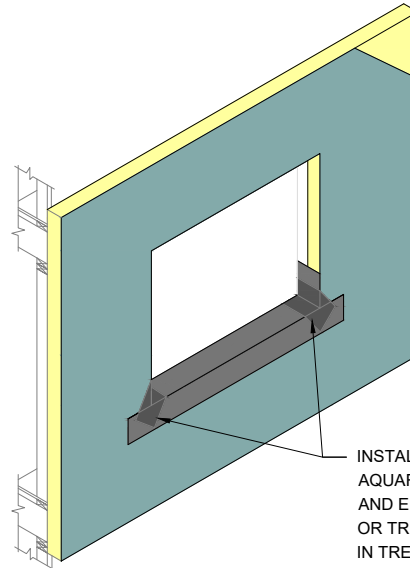


APPLY DRYVIT AQUAFLASH® SYSTEM OR TREMCO EXOAIR 230 WITH TREMCO 2011 MESH (SEE NOTE 1)

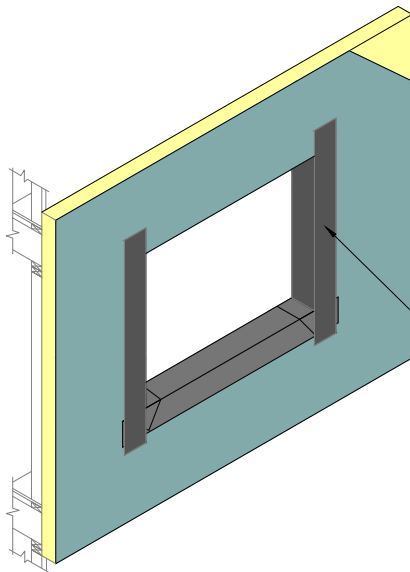
DRYVIT/TREMCO AIR/WATER-RESISTIVE BARRIER COATING

STEP #1



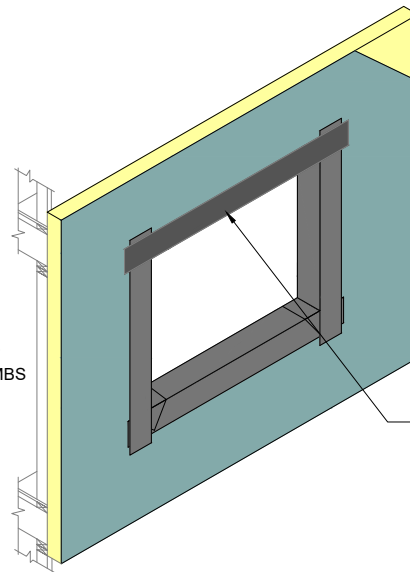
INSTALL DIAGONAL STRIP OF DRYVIT AQUAFLASH MESH AT CORNERS AND EMBED IN AQUAFLASH LIQUID OR TREMCO 2011 MESH EMBEDDED IN TREMCO EXOAIR 230 (SEE NOTE 1)

STEP #2



INSTALL DRYVIT AQUAFLASH® SYSTEM OR TREMCO EXOAIR 230 WITH TREMCO 2011 MESH AT JAMBS (SEE NOTES 1 AND 3)

STEP #3



INSTALL DRYVIT AQUAFLASH® SYSTEM OR TREMCO EXOAIR 230 WITH TREMCO 2011 MESH AT HEADS (SEE NOTES 1, 3)

STEP #4

NOTES:

1. DRYVIT AQUAFLASH AND TREMCO EXOAIR 230 WITH MESH SHALL EXTEND TO INTERIOR FACE OF OPENING.

2. REFER TO HEAD, SILL AND JAMB DETAILS FOR FLASHING INTEGRATION.

3. INSTALL WINDOW UNIT AND ASSOCIATED FLASHINGS PER MANUFACTURER'S RECOMMENDATIONS, CODE REQUIREMENTS AND PROJECT DOCUMENTS.

4. REFER TO PRODUCT DATA SHEETS FOR SPECIFIC APPLICATION METHODS.

5. FOR ADDITIONAL BACKSTOP® NTX™ DETAILS, REFER TO DRYVIT PUBLICATION DS840.

The architecture, engineering, and design of the project using the Dryvit and Tremco products are the responsibility of the project's design professional. All products and systems must comply with local building codes and standards. This detail is for general information and guidance only and Dryvit and Tremco specifically disclaims any liability for the use of this detail. The project design professional determines, in its sole discretion, whether this detail or a functionally equivalent detail is best suited for the project. This detail is subject to change without notice. Contact Dryvit and Tremco to ensure you have the most recent version.

Outsulation® HDCI™ System®



Dryvit Technical Support: 800-556-7752

Detail: Opening Preparation - AquaFlash® System or Tremco ExoAir 230 with Mesh Option

Drawn by: KAB

Checked by: CB

Scale: NTS

Date: 10/2021

File Name:

HDCI 3



Construction Products Group

www.tremcocpg.com