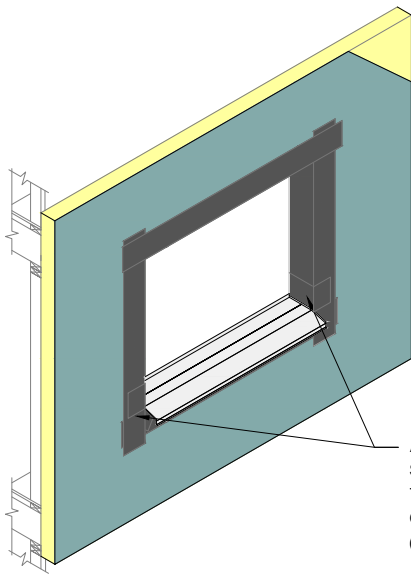


REFER TO HDCI 3 AND HDCI 4 FOR PREPARATION OF OPENING PRIOR TO FLASHING INSTALLATION

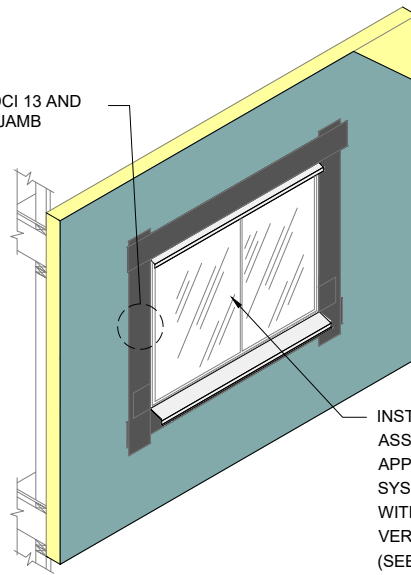
**STEP #1**



APPLY DRYVIT AQUAFLASH® SYSTEM OR TREMCO EXOAIR 230 WITH TREMCO 2011 MESH SPLICES LAPPING OVER LIP OF SILL PAN FLASHING. (SEE NOTE 1)

**STEP #2**

REFER TO HDCI 13 AND HDCI 14 FOR JAMB DETAILS



INSTALL WINDOW UNIT AND ASSOCIATED FLASHINGS AND APPLY DRYVIT AQUAFLASH SYSTEM OR TREMCO EXOAIR 230 WITH TREMCO 2011 MESH OVER VERTICAL LEG OF FLASHING (SEE NOTE 1)

**STEP #3**

**NOTES:**

1. REFER TO HDCI 13 THROUGH HDCI 16 FOR INTEGRATION OF FLASHING.

2. FOR ADDITIONAL BACKSTOP® NTX™ DETAILS, REFER TO DRYVIT PUBLICATION DS840.

*The architecture, engineering, and design of the project using the Dryvit and Tremco products are the responsibility of the project's design professional. All products and systems must comply with local building codes and standards. This detail is for general information and guidance only and Dryvit and Tremco specifically disclaims any liability for the use of this detail. The project design professional determines, in its sole discretion, whether this detail or a functionally equivalent detail is best suited for the project. This detail is subject to change without notice. Contact Dryvit and Tremco to ensure you have the most recent version.*

**Outsulation® HDCI™ System®**



Dryvit Technical Support: 800-556-7752

Detail: Opening Flashing Integration - AquaFlash® System or Tremco ExoAir 230 with Mesh Option

Drawn by: KAB

Checked by: CB

Scale: NTS

Date: 10/2021

File Name:

HDCI 5



Construction Products Group

www.tremcocpg.com