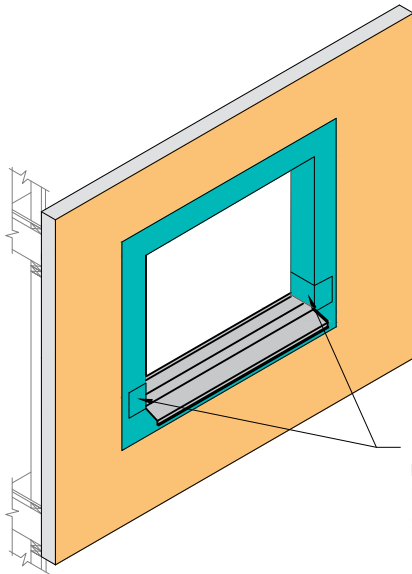


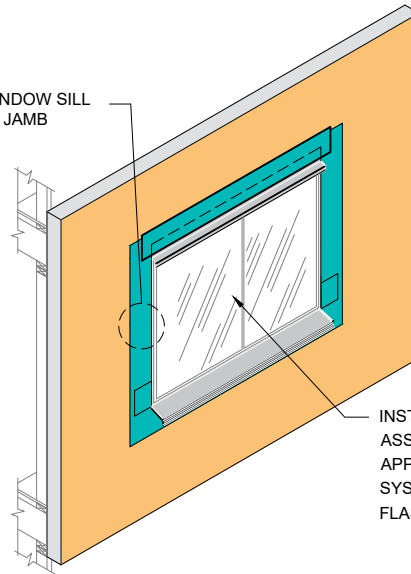
REFER TO ROUGH OPENING PREPARATION DETAIL FOR PREPARATION OF OPENING PRIOR TO FLASHING INSTALLATION

STEP #1



APPLY DYMONIC 100 AT 40 MILS LAPPING OVER LIP OF SILL PAN FLASHING. (SEE NOTES 1)

STEP #2



REFER TO WINDOW SILL DETAILS FOR JAMB DETAIL

INSTALL WINDOW UNIT AND ASSOCIATED FLASHINGS AND APPLY DYMONIC 100 FLASHING SYSTEM OVER VERTICAL LEG OF FLASHING (SEE NOTE 1)

STEP #3

NOTE:
1. REFER TO WINDOW SILL DETAILS FOR INTEGRATION OF FLASHING.



Dryvit Technical Support: 800-556-7752

The architecture, engineering, and design of the project using the Dryvit Tremco and USG products are the responsibility of the project's design professional. All products and systems must comply with local building codes and standards. This detail is for general information and guidance only and Dryvit Tremco and USG specifically disclaims any liability for the use of this detail. The project design professional determines, in its sole discretion, whether this detail or a functionally equivalent detail is best suited for the project. This detail is subject to change without notice. Contact Dryvit Tremco and USG to ensure you have the most recent version.

Outsulation® Plus MD Securock® ExoAir 430 System®



Detail: Opening Flashing Integration				File Name:	
Drawn by: KAB	Checked by: CB	Scale: NTS	Date: 2/14/2022	OPMD SE430 - 4	
www.tremcocpg.com					

