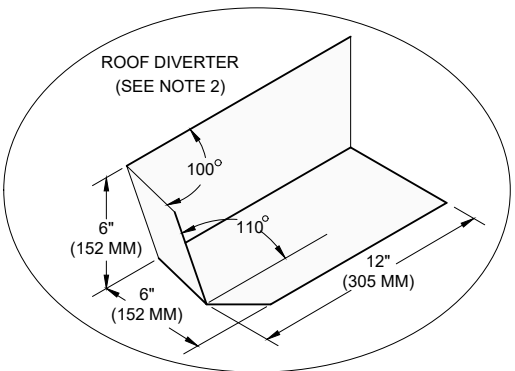


DRYVIT/TREMCO APPROVED SEALANT, BY OTHERS, WITH BOND BREAKER TAPE (SEE NOTE 5)  
 DRYVIT DEMANDIT® OR COLOR PRIME™ ON SURFACE(S) TO RECEIVE SEALANT



**NOTE:**

1. EXTEND DIVERTER FLASHING (KICKOUT) A MINIMUM OF 1" (25 MM) BEYOND FACE OF THE SYSTEM.
2. ROOF DIVERTER TO BE MADE FROM CORROSION RESISTANT MATERIAL MIN. 24 GAGE WITH WATER TIGHT SEAMS.
3. EXTEND ROOFING UNDERLAYMENT 5" (127 MM) UP VERTICAL WALL BEHIND METAL FLASHING.
4. METAL FLASHINGS ARE 10" (254 MM) X 2" (51 MM) LONGER THAN THE EXPOSED PORTION OF THE ROOFING SHINGLE AND ARE BENT IN HALF TO ALLOW FOR TWO 5" (127 MM) LEGS. ALTHOUGH NOT SHOWN, METAL FLASHINGS ARE STEP FLASHED (INTERWOVEN) WITH ROOFING SHINGLES.
5. REFERENCE DS920 FOR APPROVED SEALANTS



Dryvit Technical Support: 800-556-7752

*The architecture, engineering, and design of the project using the Dryvit Tremco and USG products are the responsibility of the project's design professional. All products and systems must comply with local building codes and standards. This detail is for general information and guidance only and Dryvit Tremco and USG specifically disclaims any liability for the use of this detail. The project design professional determines, in its sole discretion, whether this detail or a functionally equivalent detail is best suited for the project. This detail is subject to change without notice. Contact Dryvit Tremco and USG to ensure you have the most recent version.*

**Outsulation® Plus MD Securock® ExoAir 430 System®**



Technical Support: 866-209-2404

Detail: Termination at Sloped Roof

Drawn by: KAB

Checked by: CB

Scale: NTS

Date: 2/11/2022

File Name:

OPMD SE430 - 20



www.tremcocpg.com