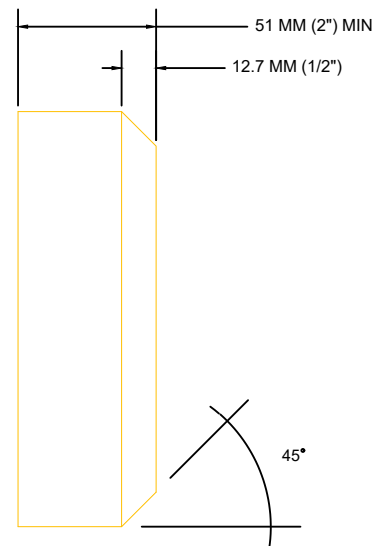


BEVEL ALONG PERIMETER OF INSULATION BOARD

6.4 MM X 25 MM ($\frac{1}{4}$ " X 1") VERTICAL DRAINAGE GROOVE

**BEVEL
DETAIL**



Dryvit Technical Support: 800-556-7752

The architecture, engineering, and design of the project using the Dryvit Tremco and USG products are the responsibility of the project's design professional. All products and systems must comply with local building codes and standards. This detail is for general information and guidance only and Dryvit Tremco and USG specifically disclaims any liability for the use of this detail. The project design professional determines, in its sole discretion, whether this detail or a functionally equivalent detail is best suited for the project. This detail is subject to change without notice. Contact Dryvit Tremco and USG to ensure you have the most recent version.

Outsulation® PE Securock® ExoAir 430 System®



Technical Support: 866-209-2404

Detail: Insulation Board - Groove Pattern

Drawn by: KAB

Checked by: CB

Scale: NTS

Date: 2/11/2022

File Name:

OSPE SE430 - 5



Construction Products Group

www.tremcocpg.com