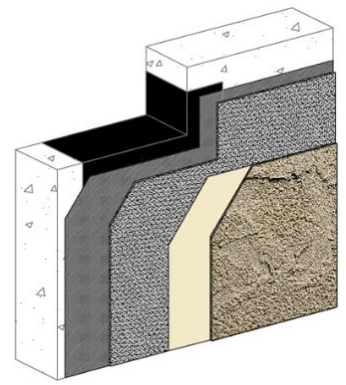


Commercial Cement Plaster 1™

Fiberglass Reinforced Portland Cement
Plaster Applied to Concrete or CMU



PRODUCT DESCRIPTION

Commercial Cement Plaster 1 consists of Commercial Cement Plaster (CCP) Base*, acrylic primer and an acrylic coating or finish. It is used when the structural exterior walls are concrete or CMU.

**Other approved scratch and brown coats may be acceptable. Consult Dryvit Systems, Inc. for specifics.*

USES

Depending on the project specification, Commercial Cement Plaster 1 is a durable exterior wall cladding and may be applied directly to the concrete or CMU substrate, or over a code approved, water-resistive barrier and metal lath.

FEATURES & BENEFITS

FEATURE

- Durable
- Water-Resistive
- Cost Effective
- Aesthetic Variety

PROPERTIES

Testing: Complies with ASTM C 1328 and IBC requirements for Portland cement plaster.

Job Conditions: Air and surface temperature for application of CCP Base must be 40 °F (4 °C) or higher and must remain so for a minimum of 24 hours.

Temporary Protection: Must be provided at all times to protect CCP Base, primer and finish applications from damaging effects of precipitation, dirt and job-site contamination.

DS812

FINISHES

For complete information, please refer to the product data sheets.

Acrylic Finish

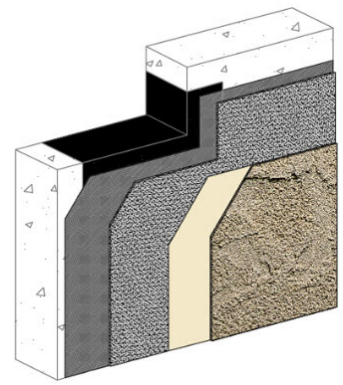
- **DPR** – flexible textured exterior wall finish with integral color. Available in 5 primary textures: Quarzputz®, Sandblast®, Sandpebble®, Sandpebble Fine™ and Freestyle®, DS416.
- **PMR™** – flexible textured exterior wall finish with integral color and enhanced with additional mildew protection, DS490.
- **HDP™** – flexible textured exterior wall finish with integral color and optimized for hydrophobic performance, DS811.
- **E™ Finish** – lightweight, highly flexible textured exterior wall finish with integral color. Available in 3 textures: Quarzputz E, Sandpebble E, and Sandpebble Fine E, DS468.

Weatherlastic – elastomeric textured exterior wall finish with integral color. Available in 5 textures: Adobe, Quarzputz, Sandpebble, Sandpebble Fine and Mojave, DS418.



Commercial Cement Plaster 1™

Fiberglass Reinforced Portland Cement
Plaster Applied to Concrete or CMU



COMPONENTS

Water-resistive barrier (when specified - by others) must be code approved.

Air/Water-Resistive Barrier (When Specified) – Backstop® NT™: A liquid applied air/water-resistive barrier meeting ICC and ABAA requirements. Must be used with paper backed lath or other approved slip sheet.

Lath (When specified - by others): Approved paper backed, or other self-furring metal lath shall be galvanized, minimum 2.5 lbs/sq yd (1.4 kg/m²) or 3.4 lbs/yd² (1.9 kg/m²) and comply with ASTM C 841 and ASTM C 847; 16 gauge galvanized self-furring welded wire lath (ASTM C 933), minimum 1 1/2 x 17 galvanized woven wire lath (ASTM C 1032); or 3/8 in (9.5 mm) galvanized rib lath. The specific type is designated by the designer based on project requirements. Lath installation shall conform to ASTM C 1063 and local code requirements.

Cement Plaster Base: Shall be CCP Base in either sanded or concentrate formula. Refer to DS817 (sanded) or DS818 (concentrate) for complete mixing and application instructions.

Acrylic Primer: Shall be Color Prime™, DS410, Color Prime-W™, DS474 or Primer with Sand™, DS477. Refer to specific product data sheets for complete application instructions.

Acrylic Coating:

Demandit® Smooth – integrally colored, smooth exterior wall coating enhanced with proven mildew resistance. See DS400 for complete information.

Weatherlastic® Smooth – integrally colored, elastomeric, smooth exterior wall coating enhanced with proven mildew resistance. See DS433 for complete information.

APPLICATION

Commercial Cement Plaster 1 must be applied in accordance with local and national code requirements and ASTM C 926. Refer to Commercial Cement Plaster 1 Specifications, DS819 and Commercial Cement Plaster 1 Details, DS824.

DS812

SPECIALTY FINISHES

- **Ameristone™** - Multi-colored quartz aggregate with a flamed granite appearance, DS434.
- **Stone Mist®** - Ceramically colored quartz aggregate, DS420.
- **Custom Brick™** - Acrylic polymer-based finish used in conjunction with a proprietary template system to create the look of brick, DS227.
- **TerraNeo®** - Acrylic-based finish with large mica chips and multi-colored quartz aggregates, DS481.
- **Limestone™** - A premixed, 100% acrylic-based finish designed to replicate the appearance of limestone blocks, DS472.
- **Finesse™** - A Smooth 100% acrylic-based dirt pickup resistance finish, DS859.

TECHNICAL AND FIELD SERVICES

Available on request.

Information contained in this product sheet conforms to the standard detail recommendations and specifications for the installation of Dryvit Systems, Inc. products as of the date of publication of this document and is presented in good faith. Dryvit Systems, Inc. assumes no liability, expressed or implied, as to the architecture, engineering or workmanship of any project. To ensure that you are using the latest, most complete information, contact Dryvit Systems, Inc.

For more information on [Dryvit Systems](#) or [Continuous Insulation](#), visit these links.

Printed in USA. Issued 10-04-16
©Dryvit Systems, Inc. 2010



Dryvit Systems, Inc.
One Energy Way | West Warwick, RI 02893
(800) 556-7752 | www.dryvit.com